



APEX DYNAMICS, USA

First In Helical Technology...

1363-10 Lincoln Avenue
Holbrook, NY 11741
Tel: (631) 244-9040 Fax: (631) 244-9030

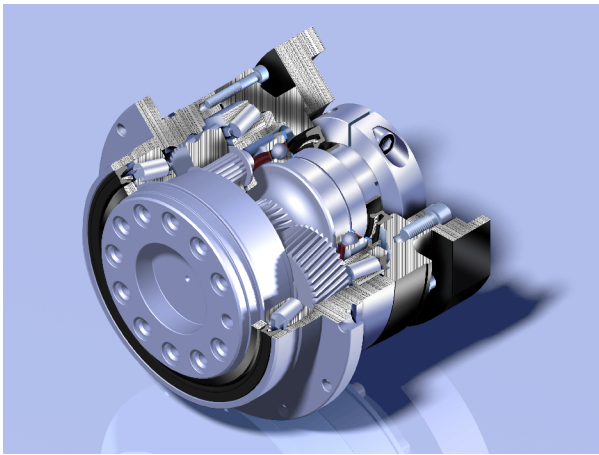
E-Mail: philshaw@apexdynamicsusa.com
Internet: www.apexdynamicsusa.com

NEWS RELEASE

For Immediate Release

Contact: Phil Shaw

Apex Dynamics USA Releases the NEW High Precision Helical AD Series



Apex Dynamics releases the new High Precision Helical AD series, which utilizes our newest **FOUR PLANETARY GEAR** design. Supported with oversized precision taper roller bearing for increased radial and axial loading capacity. The NEW FOUR PLANET True Helical gear design increases tooth-to-tooth contact ratio by over 50% vs. the standard spur gearing geometry. Stiffness is unsurpassed in the industry. The Helix angle is optimized and produces smooth and quiet operation at extreme speeds. (Less than 1 arc-min, less than 56dB, up to 10,000rpms input).

The product is offered in 6 sizes (AD 047, 064, 090, 110, 140, 200 & 255) and is equipped with every single stage ratio (3,4,5,6,7,8,9 & 10:1) along with more binary (double stage) ratios than any other competitor.

Covered by the industry leading 5-year tip to toe warranty and delivery is guaranteed with in two weeks or it's FREE. - FULL RELEASE IN SEPTEMBER 2006.

The Most Productive Helical Planetary Gearhead Manufacturer in the World!

Please contact Phil Shaw

At Apex Dynamics USA for more information

(631) 244-9040 - (631) 244-9030 Fax